

DPC-9120

12.1", Resistive / Capacitive Full Plane Touch Screen



Features

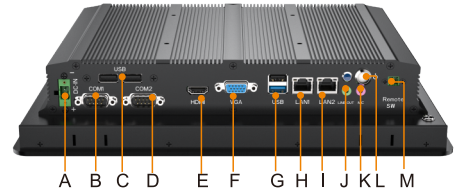
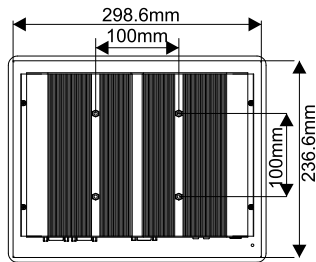
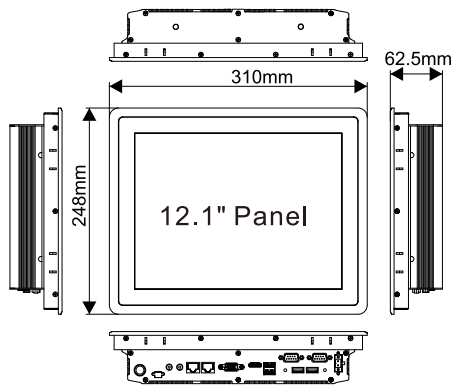
- 12.1" LED backlight LCD and Resistive touch panel
- Fanless design, Front Panel IP65
- Intel BayTrail J1900(2.0GHz)Processor
Intel Quad-Core Celeron J6412 (2.0GHz)
Intel Skylake Core i5-6200U/i3-6100U (2.3GHz) Processor
Intel Comet Lake i5-10210U 1.6GHz
Intel Whiskey Lake i7 8565U 1.8GHz
- 2 COM, 4 USB, 2 GbE, HD Audio, VGA, HDMI
- Panel and VESA mounting



Specifications

Model Number		DPC-9120
System	Processor	Intel BayTrail J1900 Intel Quad-Core Celeron J6412 Intel Skylake Core i5-6200U/i3-6100U Intel Comet Lake i5-10210U Intel Whiskey Lake i7 8565U
	System Memory	4GB SO-DIMM DDR3L-1333/1600, up to 8GB (J1900) 1 x SO-DIMM DDR4-3200, Up to 8GB(J6412) 2 x SO-DIMM DDR3L-1600, up to 32GB (i5-6200U/i3-6100U) 2 x SO-DIMM DDR4-2666, up to 64GB (i5-10210U) 2 x SO-DIMM DDR4-2400, up to 32GB (i7-8565U)
	Storage	1 x Full-size Mini-PCle for mSATA SSD
	Operating System	Windows 7/8.1/10
Display	Size	12-inch
	Resolution	1024 x 768
	Viewing Angle	80/80/80/80
	Brightness	450 cd/m ²
	Backlight	LED
	LED Lifetime	50000 hrs
	VGA	Up to 1920X1200@60Hz
	HDMI	Up to 4096X2304@24Hz
Touch Screen	Multi-Display	Dual display (LVDS + VGA/HDMI)
	Type	5-Wire Analog Resistive Touch / Projected Capacitive Touch
	Control Interface	USB
I/O Interface	Surface hardn	≥3H / ≥7H
	Serial Port	2 x RS-232 (COM1/2)
	USB Port	4 x USB
	Ethernet	2 x GbE LAN
	Display Interface	1 x HDMI, 1 x VGA
	Audio	1 x Line-out, 1 x Mic
	Others	1 x DC-IN (2-Pin Phoenix) 1 x Remote Switch Connector 1 x ATX Power Switch
Expansion	Mini-PCle	1 x Full-size Mini-PCle for mSATA 1 x Full-size Mini-PCle
	Power Input	12V (9~36V Optional)
Power Management	Power Adapter	AC-DC, 12V@5A, 60W / AC-DC, 12V@7A, 84W
	Power Consumption	23W(J1900) 25W
	Operating Temperature	-10~50°C
Environmental	Storage Temperature	-20~60°C
	Relative Humidity	10%-90%, @ 40°C (non-condensing)
	Vibration	5~500Hz, 0.026 G/Hz, 2.16 Grms, X, Y, Z, 1 hour per axis
Certificate	Certificate	CE, FCC
Mechanical	Housing	Aluminum alloy panel, all-metal structure
	Mounting Mode	Panel-mount, VESA-mount
	Dimension(mm)	310 x 248 x 62.5
	Weight	3.8kg

Dimension



- | | |
|-------------|-----------------|
| A: DC-INPUT | G: USB |
| B: COM1 | H: LAN1 |
| C: USB | I: LAN2 |
| D: COM2 | J: Mic |
| E: HDMI | K: Line-out |
| F: VGA | L: Power Switch |
| | M: Remot SW |