

DPC-9100

10.1", Resistive / Capacitive Full Plane Touch Screen



Features

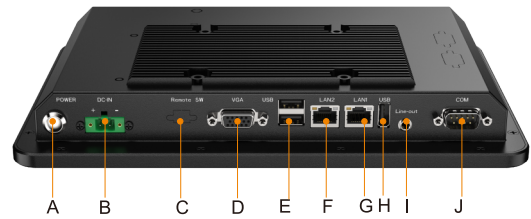
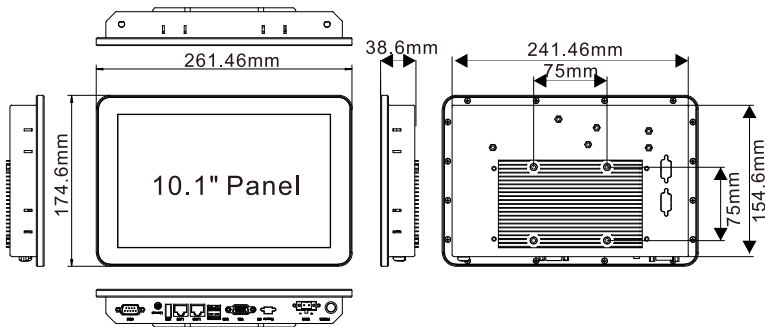
- 10.1" LED Backlight LCD, Capacitive Touch Screen, Resistive Touch Screen
- Fanless Design, Integral Aluminum Alloy Profile for Heat Dissipation.
- Intel Quad-Core Celeron J1900 (2.0GHz)
Intel Quad-Core Celeron J4125 (1.50GHz)
Intel Quad-Core Celeron J6412 (2.0GHz)
- 2 COM, 3 USB, 2 GbE, HD Audio, VGA, HDMI
- Panel and VESA mounting



Specifications

Model Number		DPC-9100
System	Processor	Intel Quad-Core Celeron J1900 Intel Quad-Core Celeron J4125 Intel Quad-Core Celeron J6412
	System Memory	4GB SO-DIMM DDR3L-1333/1600, Up to 8GB (Celeron J1900) 1 x SO-DIMM DDR4-2400, Up to 8GB (Celeron J4125) 1 x SO-DIMM DDR4-3200, Up to 16GB (Celeron J6412)
	Storage	1 x Full-size mini-PCIe for mSATA SSD
	Operating System	Windows 8.1/10
Display	Size	10.1-inch
	Resolution	1280 x 800
	Viewing Angle	85/85/85/85
	Brightness	350 cd/m ²
	Backlight	LED
	LED Lifetime	25000 hrs
	VGA	Up to 2560 x 1600
	HDMI	Up to 1920 x 1080
Touch Screen	Multi-Display	Dual display (LVDS + VGA/HDMI)
	Type	Projection multi touch capacitive touch 5-Wire Analog Resistive Touch
	Transmittance	85% & 79%
	Control Interface	USB
I/O Interface	Surface Hardness	≥7H& 3H
	Serial Port	1 x RS-232
	USB Port	3 x USB3.0
	Ethernet	2 x GbE LAN
	Display Interface	1 x VGA
	Others	1 x DC-IN (2-Pin Phoenix) 1 x Remote switch connector 1 x ATX Power Switch
Audio	Audio	1 x Line-out 1 x Line-in
	Speaker	2 x Speaker (Optional)
Expansion	Mini-PCIe	1 x Full-size mini-PCIe for mSATA 1 x Full-size mini-PCIe
Power Management	Power Input	12V/9~36V (Optional)
	Power Adapter	AC-DC, 12V@5A, 60W
	Power Consumption	13W
Environmental	Operating Temperature	0~50°C
	Storage Temperature	-10~60°C
	Relative Humidity	10%-90%,@ 40°C (non-condensing)
	Vibration	5~500Hz, 0.026 G ² /Hz, 2.16 Grms, X, Y, Z, 1 hour per axis
Certificate	Certificate	CE, FCC
Mechanical	Housing	Aluminum alloy panel, all-metal structure
	Mounting Mode	Panel-mount, VESA-mount
	Dimension(mm)	261.4 x 174.6 x 34
	Weight	1.8kg

Dimension



- A: Power
- B: DC-input
- C: Remote SW
- D: VGA
- E: USB
- F: LAN2
- G: LAN1
- H: USB
- I: Line-out
- J: COM